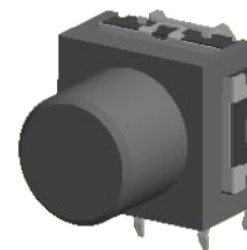


PC MOUNTING



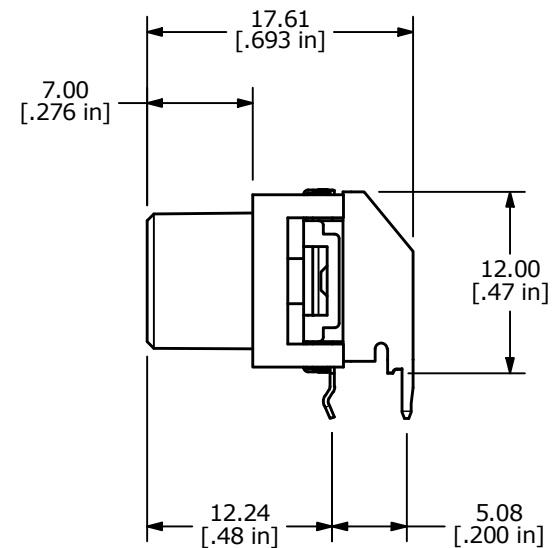
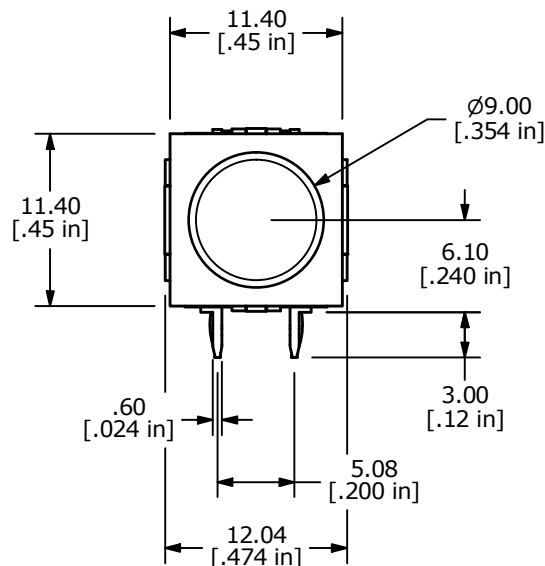
SPST N.O.  
CIRCUIT

CAP  
COLOR: GRAY



NOTES:

1. ALL DIMENSIONS IN MM [IN].
2. GENERAL TOLERANCE: X.X =  $\pm 0.4$   
X.XX =  $\pm 0.25$
3. TERM. NUMBERS FOR REFERENCE ONLY.
4. RATING: 12V, 50mA MAX; 100mV, 10mA MIN
- ▲ 5. OPERATING FORCE: 160  $\pm$  60gf
6. TRAVEL: 0.50  $\pm$  0.20mm
7. CONTACT RESISTANCE: 100 MILLI-OHMS MAX (INITIAL)
8. MECHANICAL/ELECTRICAL LIFE: 100,000 CYCLES MIN
- ▲ 9. CONTACTS: SILVER
10. ▲ DENOTES CRITICAL PARAMETER.
- ▲ 11. OPERATING TEMPERATURE:  
SWITCH: -40C to +105C  
CAP: -40C to +85C
12. PACKAGING:  
SWITCH: 40 PIECES PER TUBE  
CAP: BULK IN A PLASTIC BAG



\*\*CAP IS SHOWN ASSEMBLED ON THE SWITCH FOR REFERENCE ONLY



B	24455	removed bubble test note	8/24/20	MW
A	24413	RELEASE	8/18/20	MW
REV	PCR NO	DESCRIPTION	DATE	BY

E-SWITCH®				
TITLE TL6190AF160QRGRY				
SCALE	DATE	DR	DWG	REV
2:1	8/17/2020	MW	XP0321P	B

THE INFORMATION CONTAINED IN THIS DOCUMENT IS PROPRIETARY TO E-SWITCH AND IS NOT TO BE COPIED OR TRANSFERRED